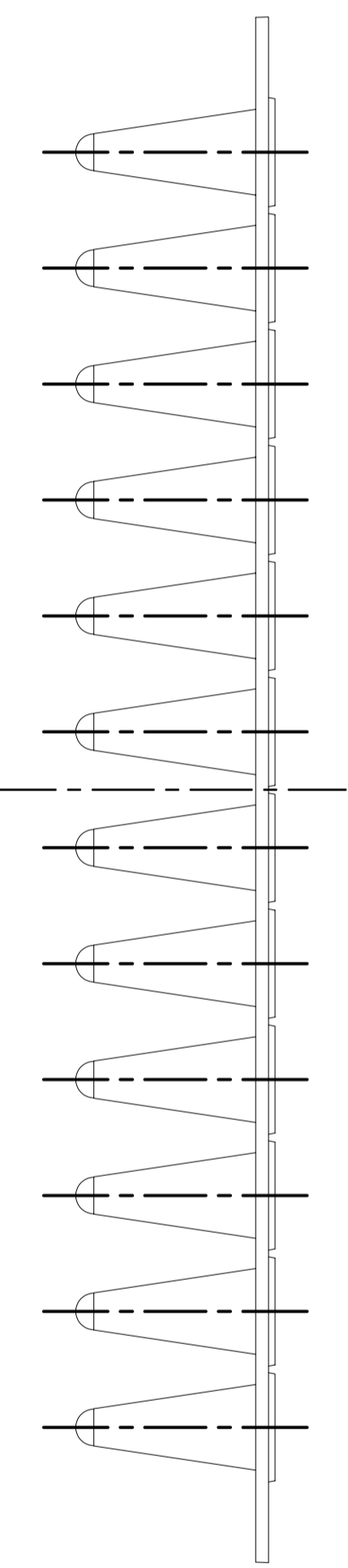
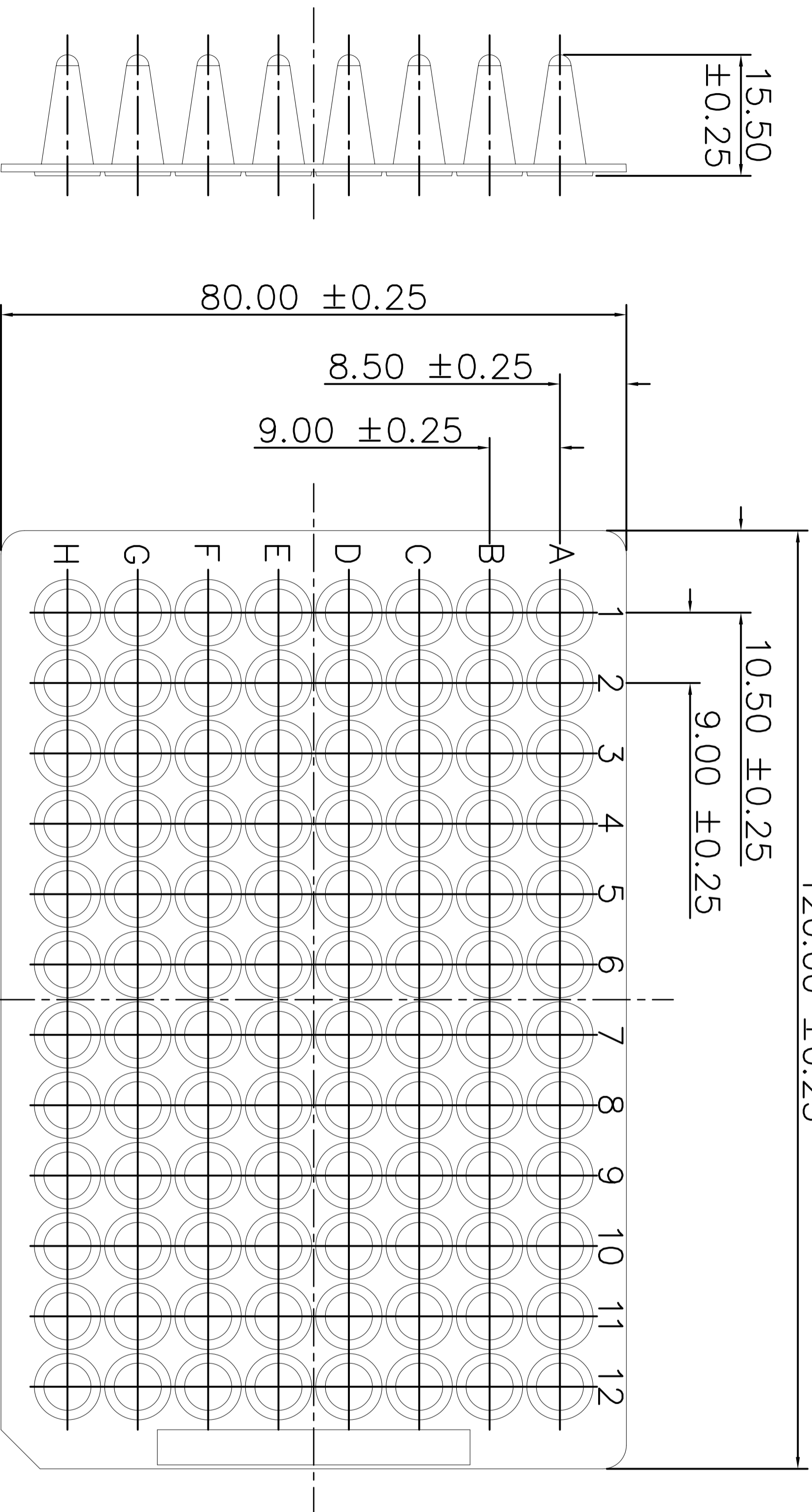
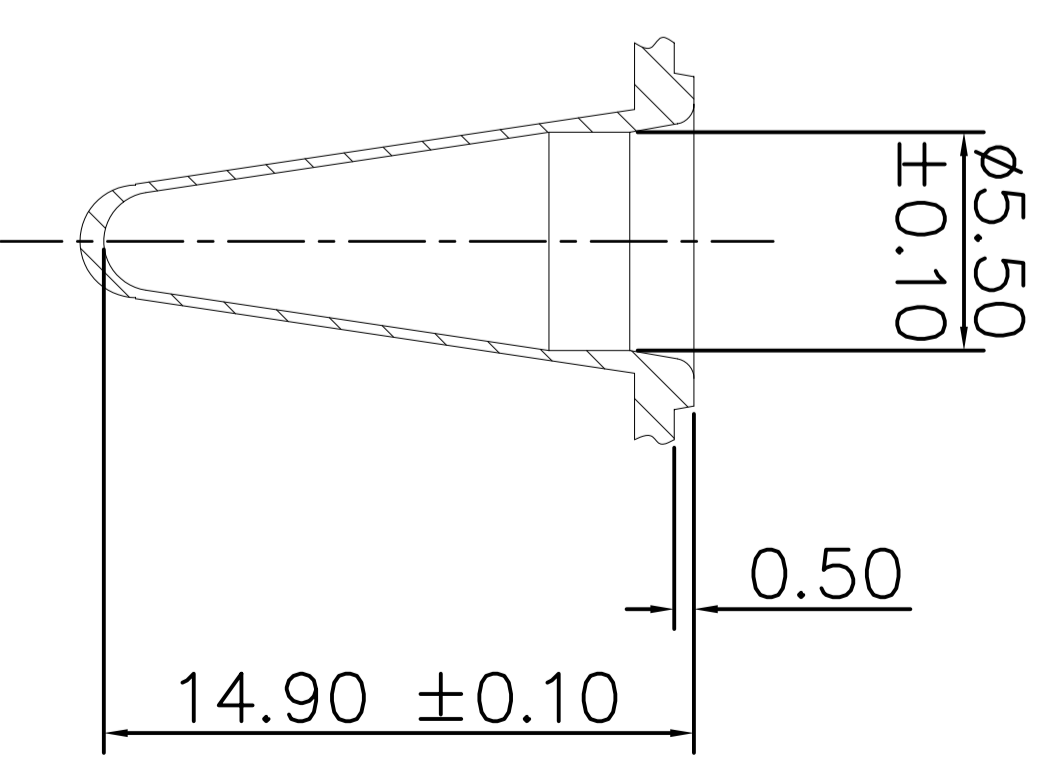


NOT TO SCALE

120.00 ±0.25



Copyright Thermo Fisher Scientific  
 This drawing and/or any technical information relating to it is issued in strict confidence and may not be reproduced or used for manufacture without written permission. Upon receipt of which it is the users responsibility to seek confirmation of any dimensions and production tolerances.



VIAL FORM 96pos

All dimensions in mm

TITLE

Thermo-Fast® 96 PCR Plate  
 Non-Skirted, Low Profile

DRG. NO.

AB-0700

ISSUE

ORIGINAL

DATE

9/5/02