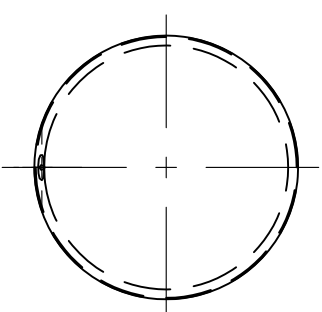
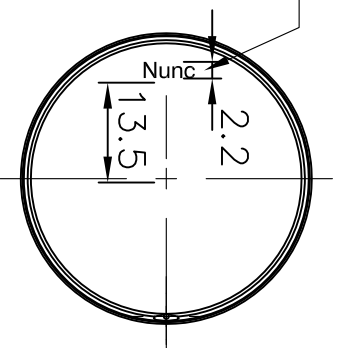


Gravure Helvetica
0.2 høj, udv.

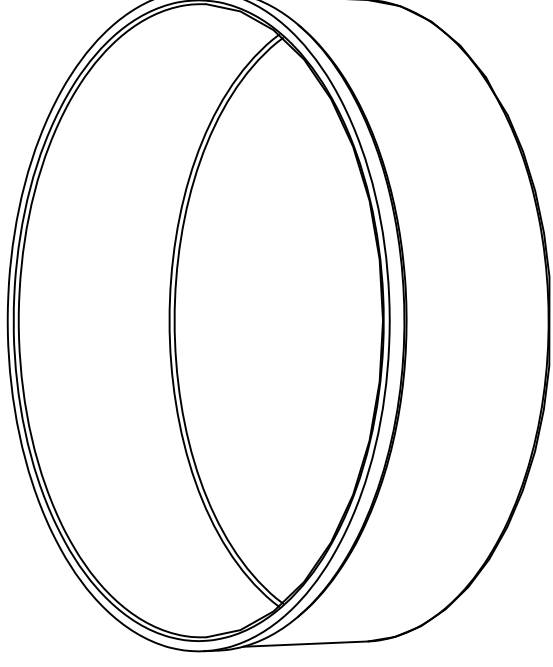
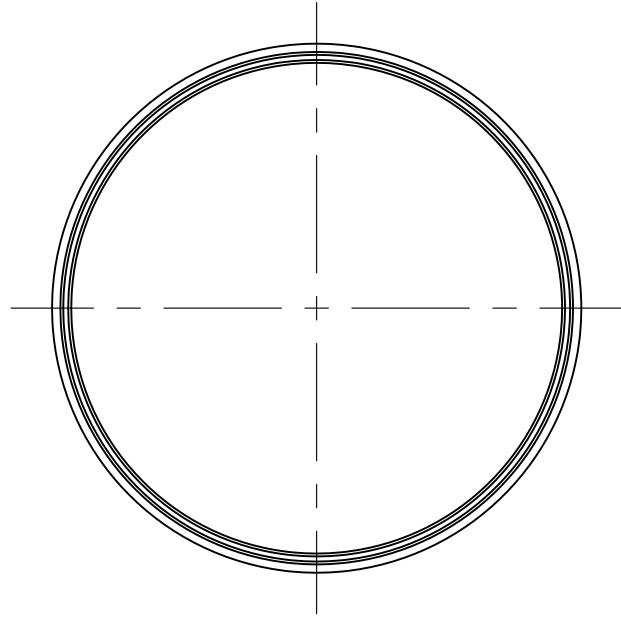
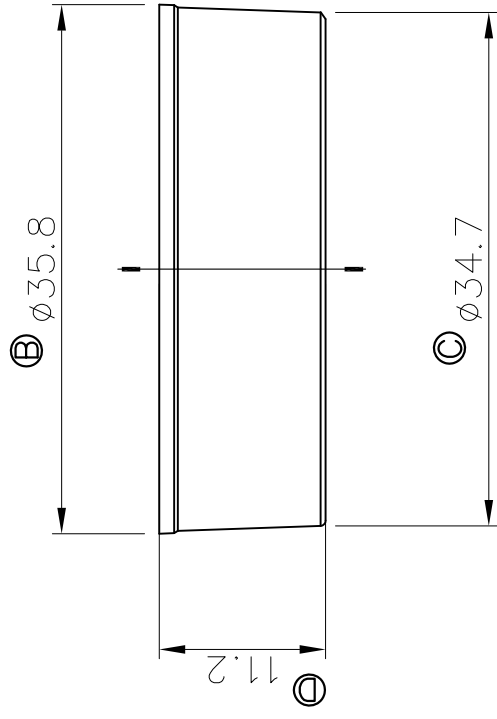
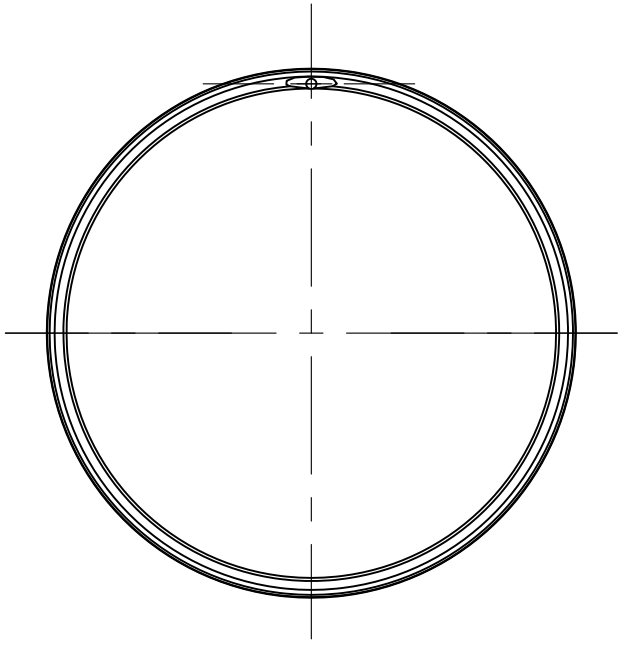


Roskilde Site · Kamstrupvej 90 · P.O.Box 280
DK-4000 Roskilde · Denmark
Tel +45 4631 2000 · Fax +45 4631 2042
E-mail: info.nunc@thermofisher.com

www.nuncbrand.com

SUBJECT:
**Nuncion PetriDish 35x10 mm and
Lid with airvent.**

DRAWN BY/DATE:	AVG/11.10.07	CHANGE ORDER NO.:	CO-0000	VALID FROM:	2007.10.17	APPROVED BY/DATE:	avg 2007.10.15	FORMAT:	A3
ITEM NUMBER:	PS	MATERIAL:		DRAWING NO.:	3252	PAGE TYPE:	-C	SCALE:	1:1
				VERSION:	10			METRIC	



Tolerances unless otherwise specified:
 Without decimal: ± 0.5 mm
 1 place decimal: ± 0.1 mm
 2 place decimal: ± 0.05 mm

Undefined radius: R 0.20 mm

Roskilde Site - Kamstrupvej 90 · P.O.Box 280
 DK-4000 Roskilde · Denmark
 Tel +45 4631 2000 · Fax +45 4631 2042
 E-mail: info.nunc@thermofisher.com

www.nuncbrand.com

SUBJECT: Nunclon PetriDish 35 x 10 mm		DRAWN BY/DATE: MZ0/06.12.00	CHANGE ORDER NO.:: CO-0000	VALID FROM: 2007.12.05	APPROVED BY/DATE: JR2007.11.29	FORMAT: A3
ITEM NUMBER: PS	MATERIAL: PS	DRAWING NO.:: 3254	VERSION: 10	PAGE TYPE: -C	SCALE: 2:1 (2.5:1)	METRIC FIRST ANGLE Projection